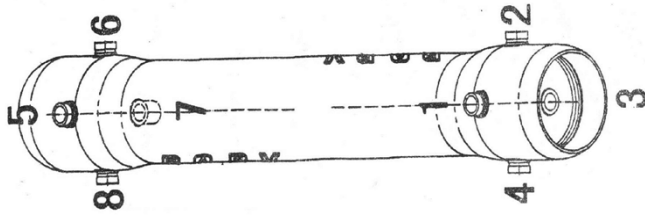




ORDER FORM R80 SERIES (Side Port)

Using the chart below, check the features you require and fax them with your purchase order to our customer service department. Please note that all options will increase the vessel price or leadtime. NOTE: Missing order information will delay your order.



MODEL & QUANTITY

R8040B300S-3W * 16 PCS

PRESSURE

300PSI 450PSI 600PSI 1000PSI 1200PSI Option - ____ PSI

SERIES

B

LENGTH CODE

MODEL R8040 B 300 S -1 -2 -3 -4 -5 -6 -7 -8
(Series) (Pressure)

PAINTING COLOR

- Standard -W: white high-gloss polyurethane coating over a smooth surface
- Option -B: Blue high-gloss polyurethane coating over a smooth surface
- Option - other colors available for orders over 50 vessels. Call for pricing details.

CERTIFICATION

- Standard - Certified by ROPV, under the ASME Code Section X, RP ,No ASME Stamp.
- Option - ASME Code Section X, RP stamped certified by an ASME Authorized Inspector. Call for pricing details.
- Option - CE (PED 97/23/EC)

FEED/CONC PORT CONFIGURATIONS

- Standard- D - 1.5" IPS Grooved **(Outer Diameter 48.3mm)**
- Option - E - 2" IPS Grooved **(Outer Diameter 60.3mm)**
- Option - F - 2.5" IPS Grooved **(Outer Diameter 73mm)**
- Option - G - 3" IPS Grooved **(Outer Diameter 88.9mm)**
- Option - I - 4" IPS Grooved **(Outer Diameter 114.3mm)**

Serial number end 1 D 3 D
 Opposite end 8 D 7 D

← Port location and size should be filled here. E.g. 1D3D5D7D

PERMEATE PORT

- | | |
|---|--|
| <p>Feed End – check one box</p> <ul style="list-style-type: none"> <input checked="" type="checkbox"/> Standard- 1" FNPT <input type="checkbox"/> Option - 1.5" Victaulic Grooved <input type="checkbox"/> Option - 1.25" M NPT <input type="checkbox"/> Option - 1" Union Adapter <input type="checkbox"/> Option - 1" FBSP | <p>Opposite End – check one box</p> <ul style="list-style-type: none"> <input checked="" type="checkbox"/> Standard- 1" FNPT <input type="checkbox"/> Option - 1.5" Victaulic Grooved <input type="checkbox"/> Option - 1.25" M NPT <input type="checkbox"/> Option - 1" Union Adapter (Outer Diameter 32mm) <input type="checkbox"/> Option - 1" FBSP |
|---|--|

MEMBRANE INFORMATION

Brand _____ Model _____
 Note: These 2 fields are required to be completed by clients to process the order. If they are blank, we will supply standard adaptors (and other standard spare parts) that match standard membranes only.

MATERIAL OF CONSTRUCTION

FEED/CONC PORT
 For 300PSI and 450PSI Standard- SS 316L
 For 600PSI 1000PSI and 1200PSI Standard- SDSS 2507

PERMEATE PORT

Standard-ABS

Mark

Standard-ROPV sticker "Made in China" sticker on produtes

Additional requests

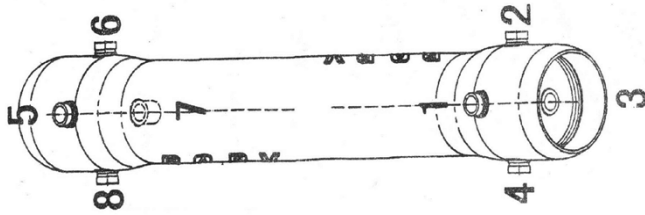
Order form completed by _____

Date: _____



ORDER FORM R80 SERIES (Side Port)

Using the chart below, check the features you require and fax them with your purchase order to our customer service department. Please note that all options will increase the vessel price or leadtime. NOTE: Missing order information will delay your order.



MODEL & QUANTITY

R8040B300S-4W * 18 PCS

PRESSURE

300PSI 450PSI 600PSI 1000PSI 1200PSI Option - ____ PSI

SERIES

B

LENGTH CODE

MODEL R8040 B 300 S -1 -2 -3 -4 -5 -6 -7 -8
(Series) (Pressure)

PAINTING COLOR

- Standard -W: white high-gloss polyurethane coating over a smooth surface
- Option -B: Blue high-gloss polyurethane coating over a smooth surface
- Option - other colors available for orders over 50 vessels. Call for pricing details.

CERTIFICATION

- Standard - Certified by ROPV, under the ASME Code Section X, RP ,No ASME Stamp.
- Option - ASME Code Section X, RP stamped certified by an ASME Authorized Inspector. Call for pricing details.
- Option - CE (PED 97/23/EC)

FEED/CONC PORT CONFIGURATIONS

- Standard- D - 1.5" IPS Grooved (Outer Diameter 48.3mm)
- Option - E - 2" IPS Grooved (Outer Diameter 60.3mm)
- Option - F - 2.5" IPS Grooved (Outer Diameter 73mm)
- Option - G - 3" IPS Grooved (Outer Diameter 88.9mm)
- Option - I - 4" IPS Grooved (Outer Diameter 114.3mm)

Serial number end 1 E 3 E
Opposite end 8 E 7 E
← Port location and size should be filled here. E.g. 1D3D5D7D

PERMEATE PORT

- Feed End – check one box
- Standard- 1" FNPT
- Option - 1.5" Victaulic Grooved
- Option - 1.25" M NPT
- Option - 1" Union Adapter
- Option - 1" FBSP
- Opposite End – check one box
- Standard- 1" FNPT
- Option - 1.5" Victaulic Grooved
- Option - 1.25" M NPT
- Option - 1" Union Adapter (Outer Diameter 32mm)
- Option - 1" FBSP

MEMBRANE INFORMATION

Brand _____ Model _____

Note: These 2 fields are required to be completed by clients to process the order. If they are blank, we will supply standard adaptors (and other standard spare parts) that match standard membranes only.

MATERIAL OF CONSTRUCTION

FEED/CONC PORT
For 300PSI and 450PSI Standard- SS 316L For 600PSI 1000PSI and 1200PSI Standard- SDSS 2507

PERMEATE PORT

Standard-ABS

Mark

Standard-ROPV sticker "Made in China" sticker on produces

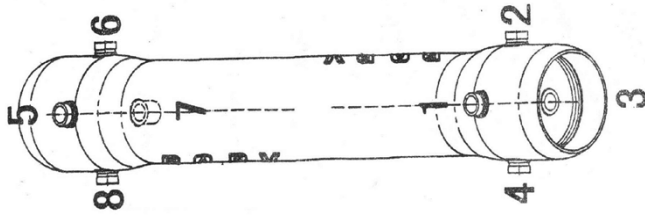
Additional requests

Order form completed by _____

Date: _____

ORDER FORM R80 SERIES (Side Port)

Using the chart below, check the features you require and fax them with your purchase order to our customer service department. Please note that all options will increase the vessel price or leadtime. NOTE: Missing order information will delay your order.



MODEL & QUANTITY

R8040B300S-4W * 24 PCS

PRESSURE

300PSI 450PSI 600PSI 1000PSI 1200PSI Option - _____ PSI

SERIES

B

LENGTH CODE

MODEL R8040 B 300 S -1 -2 -3 -4 -5 -6 -7 -8
(Series) (Pressure)

PAINTING COLOR

- Standard -W: white high-gloss polyurethane coating over a smooth surface
- Option -B: Blue high-gloss polyurethane coating over a smooth surface
- Option - other colors available for orders over 50 vessels. Call for pricing details.

CERTIFICATION

- Standard - Certified by ROPV, under the ASME Code Section X, RP ,No ASME Stamp.
- Option - ASME Code Section X, RP stamped certified by an ASME Authorized Inspector. Call for pricing details.
- Option - CE (PED 97/23/EC)

FEED/CONC PORT CONFIGURATIONS

- Standard- D - 1.5" IPS Grooved (Outer Diameter 48.3mm)
- Option - E - 2" IPS Grooved (Outer Diameter 60.3mm)
- Option - F - 2.5" IPS Grooved (Outer Diameter 73mm)
- Option - G - 3" IPS Grooved (Outer Diameter 88.9mm)
- Option - I - 4" IPS Grooved (Outer Diameter 114.3mm)

Serial number end 1 E 3 E

Opposite end 8 E 7 E

Port location and size should be filled here. E.g. 1D3D5D7D

PERMEATE PORT

- | | |
|---|---|
| <p>Feed End – check one box</p> <ul style="list-style-type: none"> <input checked="" type="checkbox"/> Standard- 1" FNPT <input type="checkbox"/> Option - 1.5" Victaulic Grooved <input type="checkbox"/> Option - 1.25" M NPT <input type="checkbox"/> Option - 1" Union Adapter <input type="checkbox"/> Option - 1" FBSP | <p>Opposite End – check one box</p> <ul style="list-style-type: none"> <input checked="" type="checkbox"/> Standard- 1" FNPT <input type="checkbox"/> Option - 1.5" Victaulic Grooved <input type="checkbox"/> Option - 1.25" M NPT <input type="checkbox"/> Option - 1" Union Adapter (Outer Diameter 32mm) <input type="checkbox"/> Option - 1" FBSP |
|---|---|

MEMBRANE INFORMATION

Brand _____ Model _____
 Note: These 2 fields are required to be completed by clients to process the order. If they are blank, we will supply standard adaptors (and other standard spare parts) that match standard membranes only.

MATERIAL OF CONSTRUCTION

FEED/CONC PORT
 For 300PSI and 450PSI Standard- SS 316L
 For 600PSI 1000PSI and 1200PSI Standard- SDSS 2507

PERMEATE PORT

Standard-ABS

Mark

Standard-ROPV sticker "Made in China" sticker on produces

Additional requests

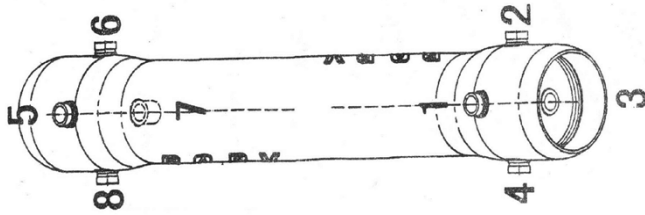
Order form completed by _____

Date: _____



ORDER FORM R80 SERIES (Side Port)

Using the chart below, check the features you require and fax them with your purchase order to our customer service department. Please note that all options will increase the vessel price or leadtime. NOTE: Missing order information will delay your order.



MODEL & QUANTITY

R8040B300S-6W * 30 PCS

PRESSURE

300PSI 450PSI 600PSI 1000PSI 1200PSI Option - ____ PSI

SERIES

B

LENGTH CODE

MODEL R8040 B 300 S -1 -2 -3 -4 -5 -6 -7 -8
(Series) (Pressure)

PAINTING COLOR

- Standard -W: white high-gloss polyurethane coating over a smooth surface
- Option -B: Blue high-gloss polyurethane coating over a smooth surface
- Option - other colors available for orders over 50 vessels. Call for pricing details.

CERTIFICATION

- Standard - Certified by ROPV, under the ASME Code Section X, RP ,No ASME Stamp.
- Option - ASME Code Section X, RP stamped certified by an ASME Authorized Inspector. Call for pricing details.
- Option - CE (PED 97/23/EC)

FEED/CONC PORT CONFIGURATIONS

- Standard- D - 1.5" IPS Grooved (Outer Diameter 48.3mm)
- Option - E - 2" IPS Grooved (Outer Diameter 60.3mm)
- Option - F - 2.5" IPS Grooved (Outer Diameter 73mm)
- Option - G - 3" IPS Grooved (Outer Diameter 88.9mm)
- Option - I - 4" IPS Grooved (Outer Diameter 114.3mm)

Serial number end 1 F 3 F
 Opposite end 8 F 7 F

← Port location and size should be filled here. E.g. ID3D5D7D

PERMEATE PORT

- | | |
|--|--|
| Feed End – check one box | Opposite End – check one box |
| <input checked="" type="checkbox"/> Standard- 1" FNPT | <input checked="" type="checkbox"/> Standard- 1" FNPT |
| <input type="checkbox"/> Option - 1.5" Victaulic Grooved | <input type="checkbox"/> Option - 1.5" Victaulic Grooved |
| <input type="checkbox"/> Option - 1.25" M NPT | <input type="checkbox"/> Option - 1.25" M NPT |
| <input type="checkbox"/> Option - 1" Union Adapter | <input type="checkbox"/> Option - 1" Union Adapter (Outer Diameter 32mm) |
| <input type="checkbox"/> Option - 1" FBSP | <input type="checkbox"/> Option - 1" FBSP |

MEMBRANE INFORMATION

Brand _____ Model _____

Note: These 2 fields are required to be completed by clients to process the order. If they are blank, we will supply standard adaptors (and other standard spare parts) that match standard membranes only.

MATERIAL OF CONSTRUCTION

FEED/CONC PORT
 For 300PSI and 450PSI Standard- SS 316L For 600PSI 1000PSI and 1200PSI Standard- SDSS 2507

PERMEATE PORT

Standard-ABS

Mark

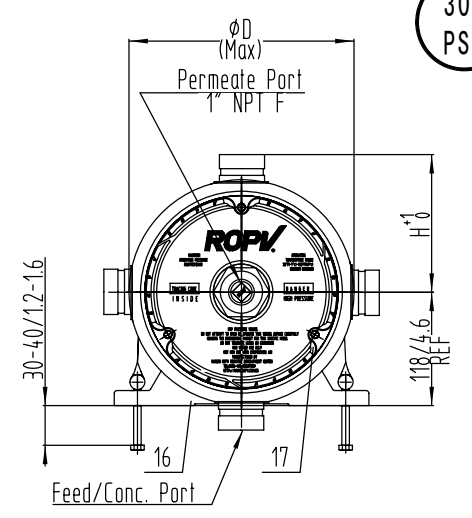
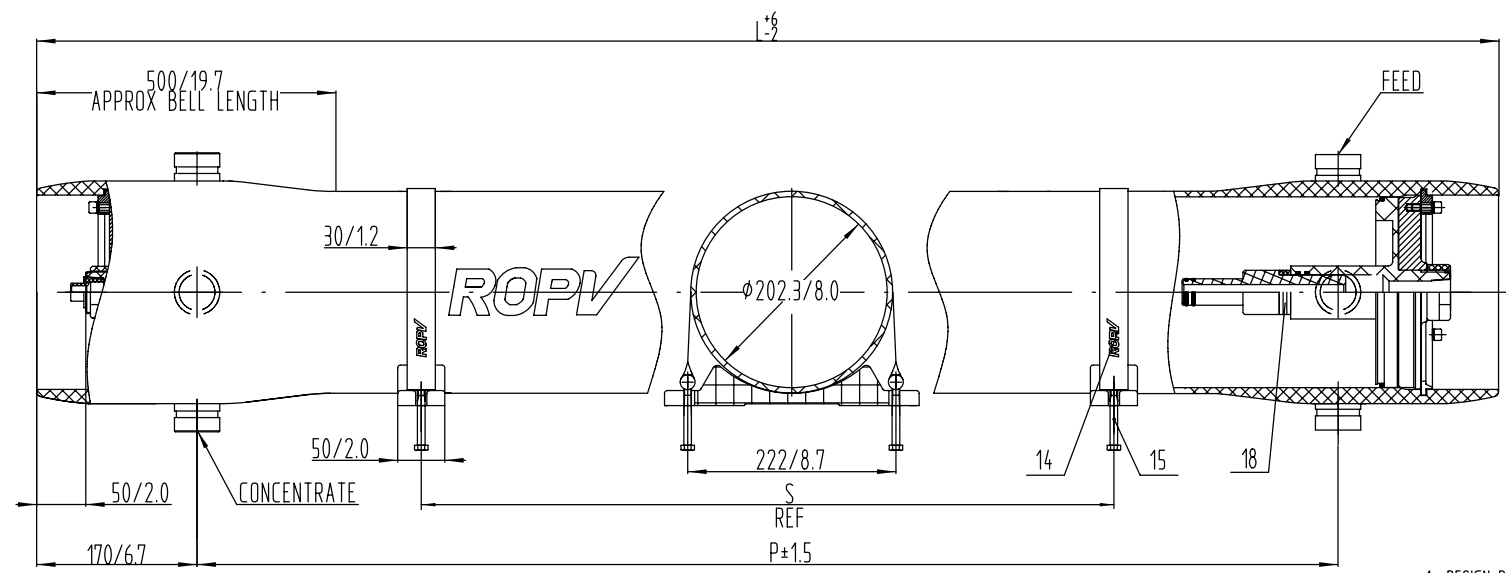
Standard-ROPV sticker "Made in China" sticker on produtes

Additional requests

Order form completed by _____

Date: _____

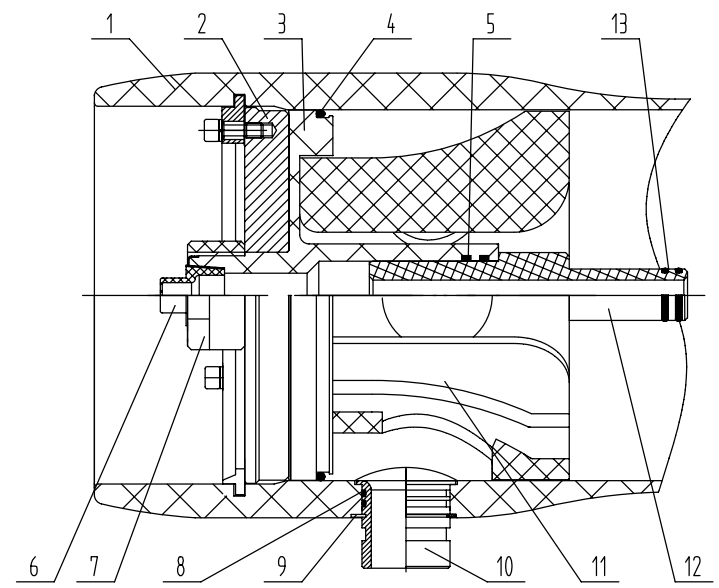
300
PSI



| F/C PORT | D(MM/IN) | H(MM/IN) |
|------------|----------|----------|
| 1.5"(DN40) | 244/9.6 | 148/5.8 |
| 2"(DN50) | 248/9.7 | 148/5.8 |
| 2.5"(DN65) | 258/10.1 | 153/6.0 |

- DESIGN PRESSURE 300PSI(2.1MPa).
- DESIGN TEMPERATURE 150°F(66°C).
- MIN ALLOWABLE TEMPERATURE 20°F(-7°C).
- WORKING MEDIUM, WATER pH RANGE 3-11.
- DIMENSIONS IN MM(INCHES) APPROX.
- INTERNAL PERMEATE PRESSURE NOT TO EXCEED 125PSI(0.88MPa).
- THE QUANTITY OF ITEM NO.8, 9 AND 10, DEPEND ON THE FEED/CONC. PORTS CONFIGURATION.
- ITEM 11 CONCENTRATE SIDE ONLY.
- ITEM 18 FEED SIDE ONLY.
- PLEASE OPERATE IN ACCORDANCE WITH USER MANUAL.
- FOR REFERENCE ONLY, NOT FOR CONSTRUCTION UNLESS CERTIFIED.
- SPARE PARTS FORM JUST FOR REFERENCE, SPECIFIC FORM OF THE SPARE PART DRAWING PREVAIL, SUBJECT TO CHANGE WITHOUT NOTICE.
- ALL PARTS CAN BE RECYCLED EXCEPT FRP SHELL.

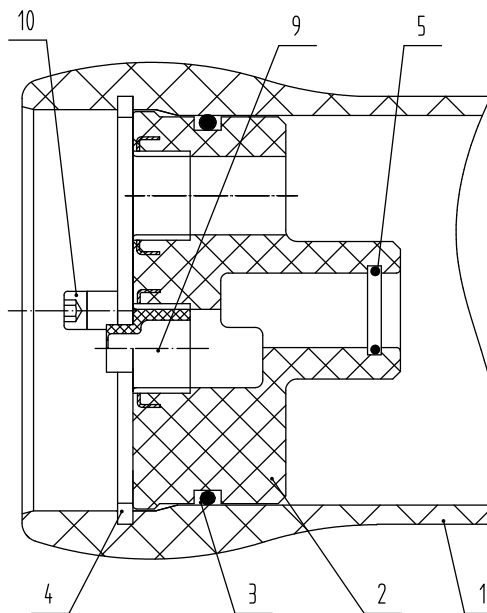
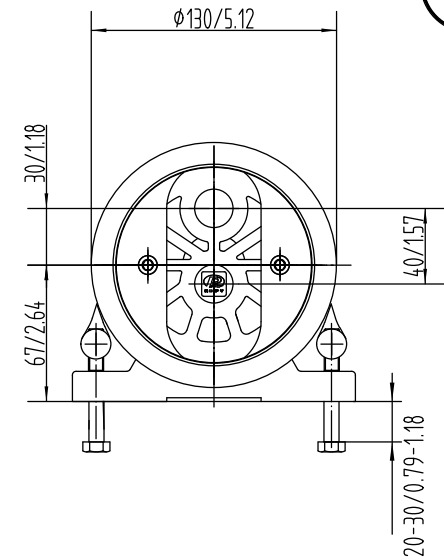
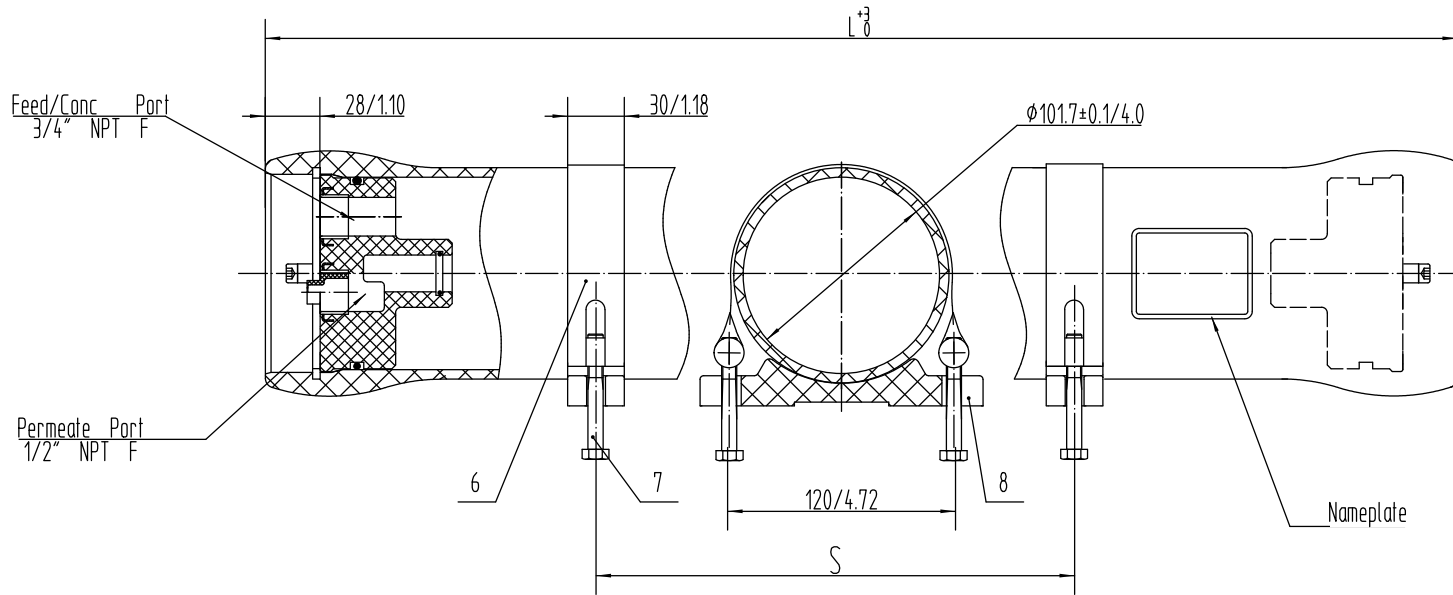
| | | | | | |
|-----|---|---|-----|---------------------------------------|------|
| 18 | A8023.1 | Shim | 0~3 | Engineering Thermoplastic | |
| 17 | A8018.4 | Locking Kit Segment Assy | 6 | 304SS including Screw and Spring Pad | |
| 16 | A8016 | Saddle | 2~3 | Rubber | |
| 15 | GB/T5782 M8x90 | Strap Screw | 4~6 | 304SS | |
| 14 | A8014.1 | Strap | 2~3 | 304SS-Brass and Rubber | |
| 13 | 23.6x2.65G GB/T3452.1 | O-ring | 4 | EPDM | |
| 12 | A8012.1 | Adapler | 2 | Engineering Thermoplastic | |
| 11 | A8011.1 | Thrust Ring | 1 | Engineering Thermoplastic | |
| 10 | S8030F(DZ) S8030E(DZ) S8045D(DZ) | 2.5"Feed/Conc. Port 2"Feed/Conc. Port 1.5"Feed/Conc. Port | 2~4 | 316LSS | OPT |
| 09 | A8009.1-3 | Retaining Ring | 2-4 | 304SS | |
| 08 | 69(65)x3.55G GB/T3452.1 54.5x2.65G GB/T3452.1 42.5x2.65G GB/T3452.1 | O-ring | 4~8 | EPDM | |
| 07 | A8007 | Permeate Port Locknut | 2 | Engineering Thermoplastic | |
| 06 | A8006 | Plug | 1 | Engineering Thermoplastic | |
| 05 | 36.5x3.55G GB/T3452.1 | O-ring | 4 | EPDM | |
| 04 | 190x5.3G GB/T3452.1 | O-ring | 2 | EPDM | |
| 03 | A8003.4 | Sealing Plate | 2 | Engineering Thermoplastic, 304SS ring | |
| 02 | A8002.3 A8002.2 | Bearing Plate | 2 | Aluminium Alloy-Hard anodized | ASME |
| 01 | S8012.1-8 | Pressure Shell | 1 | FRP | |
| REF | PART NUMBER | DESCRIPTION | QTY | MATERIAL | NOTE |



| Shell length code | Shell number | L L.O.A MM/IN | P Port to port MM/IN | S Span MM/IN | Approx assembly weight (1.5"Feed/Conc. Port) KG/LB |
|-------------------|--------------|---------------|----------------------|--------------|--|
| 1 | S8012.1 | 1534/60.4 | 1194/47 | 500/19.7 | 32/71 |
| 2 | S8012.2 | 2550/100.4 | 2210/87 | 1455/57.3 | 39/86 |
| 3 | S8012.3 | 3566/140.4 | 3226/127 | 2064/81.3 | 46/101 |
| 4 | S8012.4 | 4582/180.4 | 4242/167 | 1600/63x2 | 53/117 |
| 5 | S8012.5 | 5598/220.4 | 5258/207 | 2000/78.7x2 | 60/132 |
| 6 | S8012.6 | 6614/260.4 | 6274/247 | 2358/92.8x2 | 67/148 |
| 7 | S8012.7 | 7630/300.4 | 7290/287 | 2865/112.8x2 | 74/163 |
| 8 | S8012.8 | 8646/340.4 | 8306/327 | 3373/132.8x2 | 81/179 |

| | | | |
|-------------|----------|--|----------------------------|
| ROPV | DESIGN | Harbin ROPV Industry Development Center | |
| | REVIEW | MODEL | R8040B300S PRESSURE VESSEL |
| | APPROVAL | DRG | REV |
| | | R8040B300S-00 | 10.2.3 |

300
PSI



- 1 DESIGN PRESSURE 300PSI(2.1MPa).
- 2 DESIGN TEMPERATURE 150°F(66°C).
- 3 MIN ALLOWABLE TEMPERATURE 20°F(-7°C).
- 4 WORKING MEDIUM, WATER PH3-11.
- 5 DIMENSIONS IN MM(INCHES APPROX).
- 6 INTERNAL PERMEATE PRESSURE NOT TO EXCEED 125PSI(0.88MPa).
- 7 PLEASE OPERATE IN ACCORDANCE WITH USER MANUAL.
- 8 FOR REFERENCE ONLY,NOT FOR CONSTRUCTION UNLESS CERTIFIED.
- 9 SPARE PARTS FORM JUST FOR REFERENCE,SPECIFIC FORM OF THE SPARE PART DRAWING PREVAIL,SUBJECT TO CHANGE WITHOUT NOTICE.
- 10 ALL PARTS CAN BE RECYCLED EXCEPT FRP SHELL.

| Ref. | Part Number | Description | Qty. | Material | Note |
|------|-------------|-------------------------|------|-----------|----------------|
| 1 | 4098.7 | Pressure Shell | 1 | Epoxy FRP | |
| 2 | 4099.1Z | End Plug | 2 | ABS | 1/2"×3/4"NPT F |
| 3 | 4002 | O-Ring | 2 | EPDM | 90×5.3 |
| 4 | 4011 | Locking Crescent | 4 | 304SS | |
| 5 | 4007 | O-Ring | 2 | EPDM | 19×2.65 |
| 6 | 4008 | Strap | 2 | 304SS | |
| 7 | 4009 | Bolt For Strap | 4 | 304SS | M8×60 |
| 8 | 4010 | Saddle | 2 | Rubber | |
| 9 | 4013.1 | Plug | 1 | ABS | 1/2"NPT M |
| 10 | 4012 | Screw of locking cresen | 4 | 304SS | M6×20 |

| Shell length code | Shell number | L.O.A MM/IN | Span MM/IN | Approx assembly weight KG/LB |
|-------------------|--------------|-------------|------------|------------------------------|
| 40 | 4098.7 | 1163/45.8 | 600/23.6 | 6.6/14.9 |

| | | | |
|-------------|---------|------------------------------------|--------------------------|
| ROPV | Design | Harbin ROPV | |
| | Review | Industry Development Center | |
| | Approve | Title | R40A300E PRESSURE VESSEL |
| | | Dwg. No. | R40A300E-00 |
| | | Rev. | A1 |